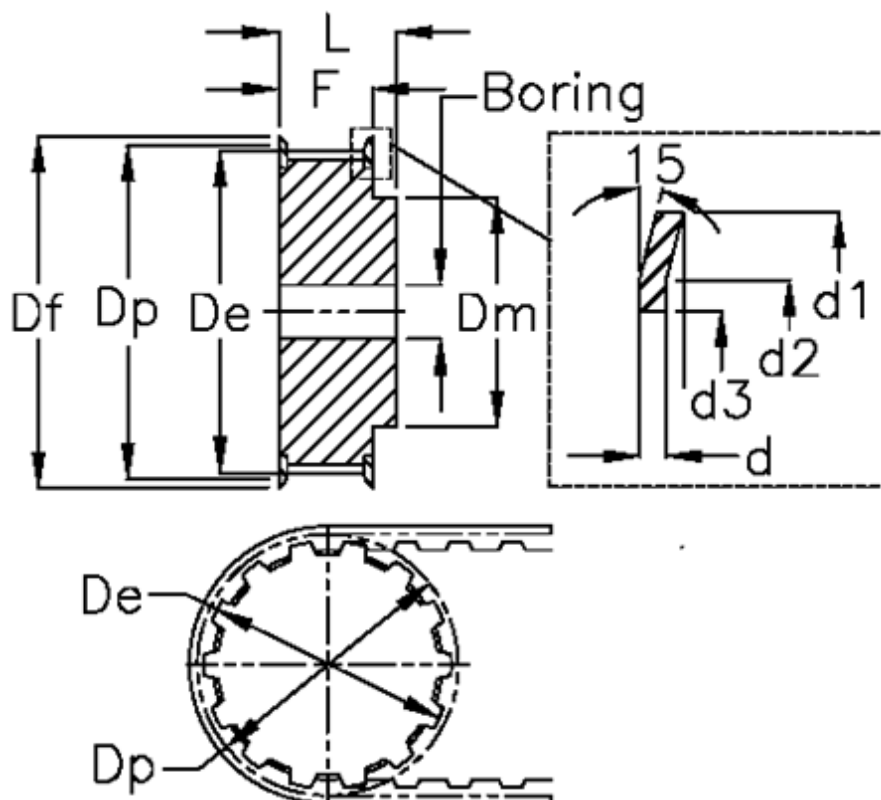


Article number: 60415431028

Description: Timing Belt Pulley 31 AT10 28/2

## Measures



Belt width = - 16 mm	Dp	= 89.25
d = 1	F	= 21
d1 = 93	Flange type	= F32
d2 = 89	L	= 31
d3 = 80	Pre-drilled	= 8
De = 87.25	Tooth number	= 28
Df = 93	Type	= AT10
Dm = 60	Weight	= 0.401